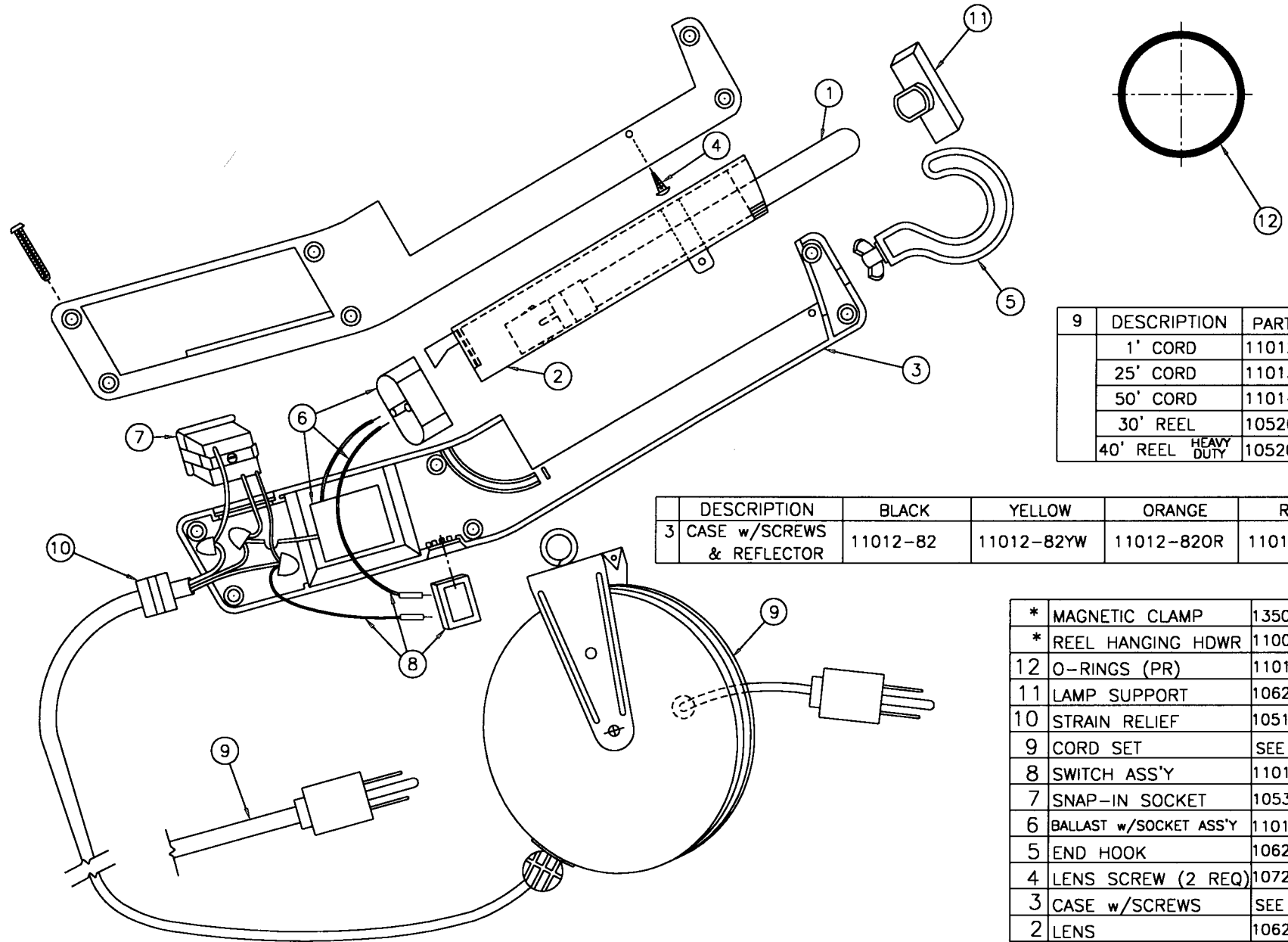


# ANGLE LITE

11012, 11013, 11014, 11015 & 11016



9	DESCRIPTION	PART #
	1' CORD	11012-20
	25' CORD	11013-20
	50' CORD	11014-20
	30' REEL	10520-07-000
	40' REEL <small>HEAVY DUTY</small>	10520-10-000

DESCRIPTION	BLACK	YELLOW	ORANGE	RED
3 CASE w/SCREWS & REFLECTOR	11012-82	11012-82YW	11012-82OR	11012-82RD

* MAGNETIC CLAMP	13503-00
* REEL HANGING HDWR	11004-12
12 O-RINGS (PR)	11013-85
11 LAMP SUPPORT	10621-10-000
10 STRAIN RELIEF	10510-13-000
9 CORD SET	SEE TABLE
8 SWITCH ASS'Y	11012-10
7 SNAP-IN SOCKET	10530-13-000
6 BALLAST w/SOCKET ASS'Y	11012-85
5 END HOOK	10620-93-000
4 LENS SCREW (2 REQ)	10720-02-000
3 CASE w/SCREWS	SEE TABLE
2 LENS	10621-18-000
1 ROUGH SERVICE 13W LAMP	11006-17
DESCR	CENTRAL #