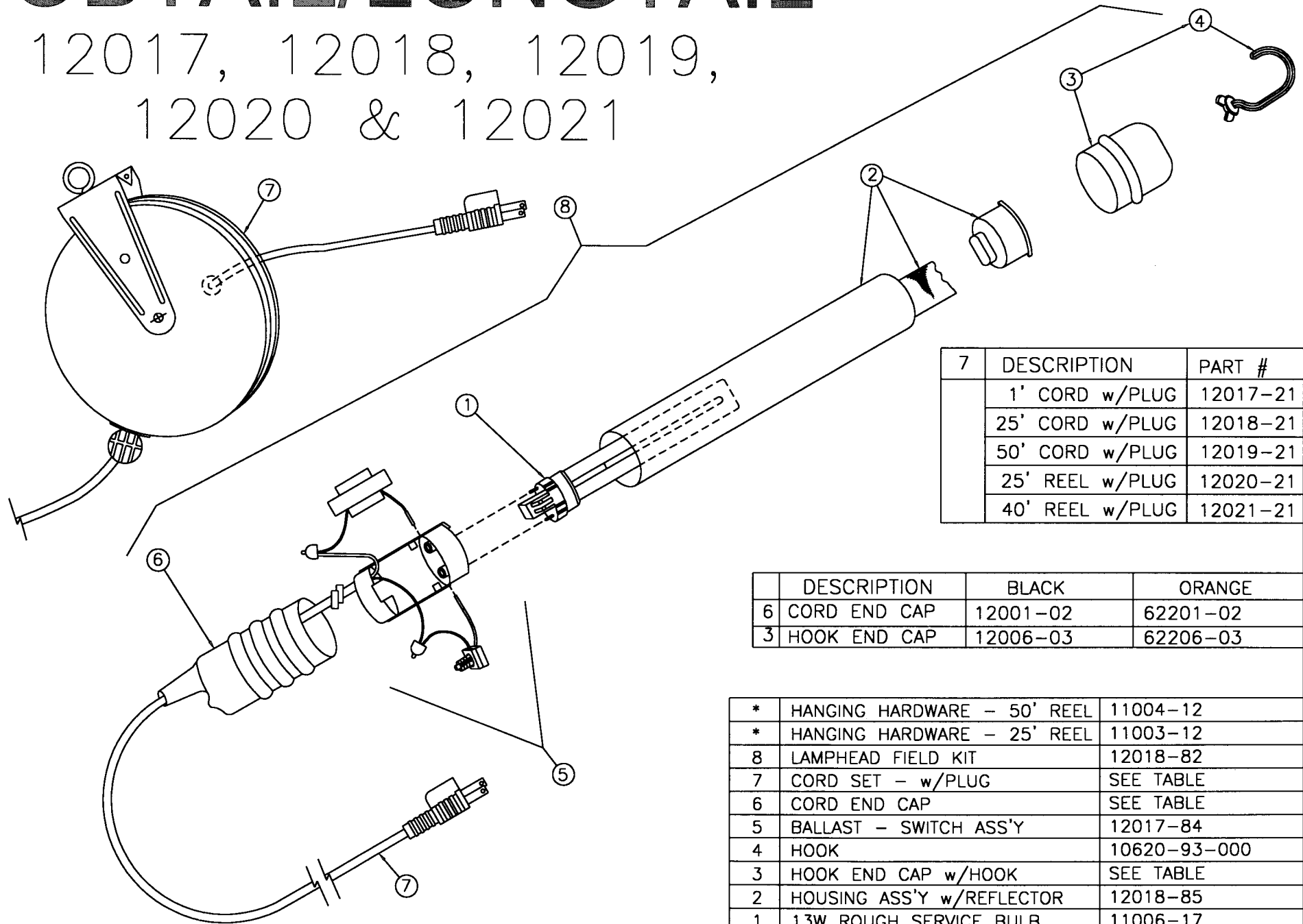


BOBTAIL[®]/LONGTAIL[®]

12017, 12018, 12019,
12020 & 12021



7	DESCRIPTION	PART #
	1' CORD w/PLUG	12017-21
	25' CORD w/PLUG	12018-21
	50' CORD w/PLUG	12019-21
	25' REEL w/PLUG	12020-21
	40' REEL w/PLUG	12021-21

	DESCRIPTION	BLACK	ORANGE
6	CORD END CAP	12001-02	62201-02
3	HOOK END CAP	12006-03	62206-03

*	HANGING HARDWARE - 50' REEL	11004-12
*	HANGING HARDWARE - 25' REEL	11003-12
8	LAMPHEAD FIELD KIT	12018-82
7	CORD SET - w/PLUG	SEE TABLE
6	CORD END CAP	SEE TABLE
5	BALLAST - SWITCH ASS'Y	12017-84
4	HOOK	10620-93-000
3	HOOK END CAP w/HOOK	SEE TABLE
2	HOUSING ASS'Y w/REFLECTOR	12018-85
1	13W ROUGH SERVICE BULB	11006-17
	DESCRIPTION	CENTRAL PART No.