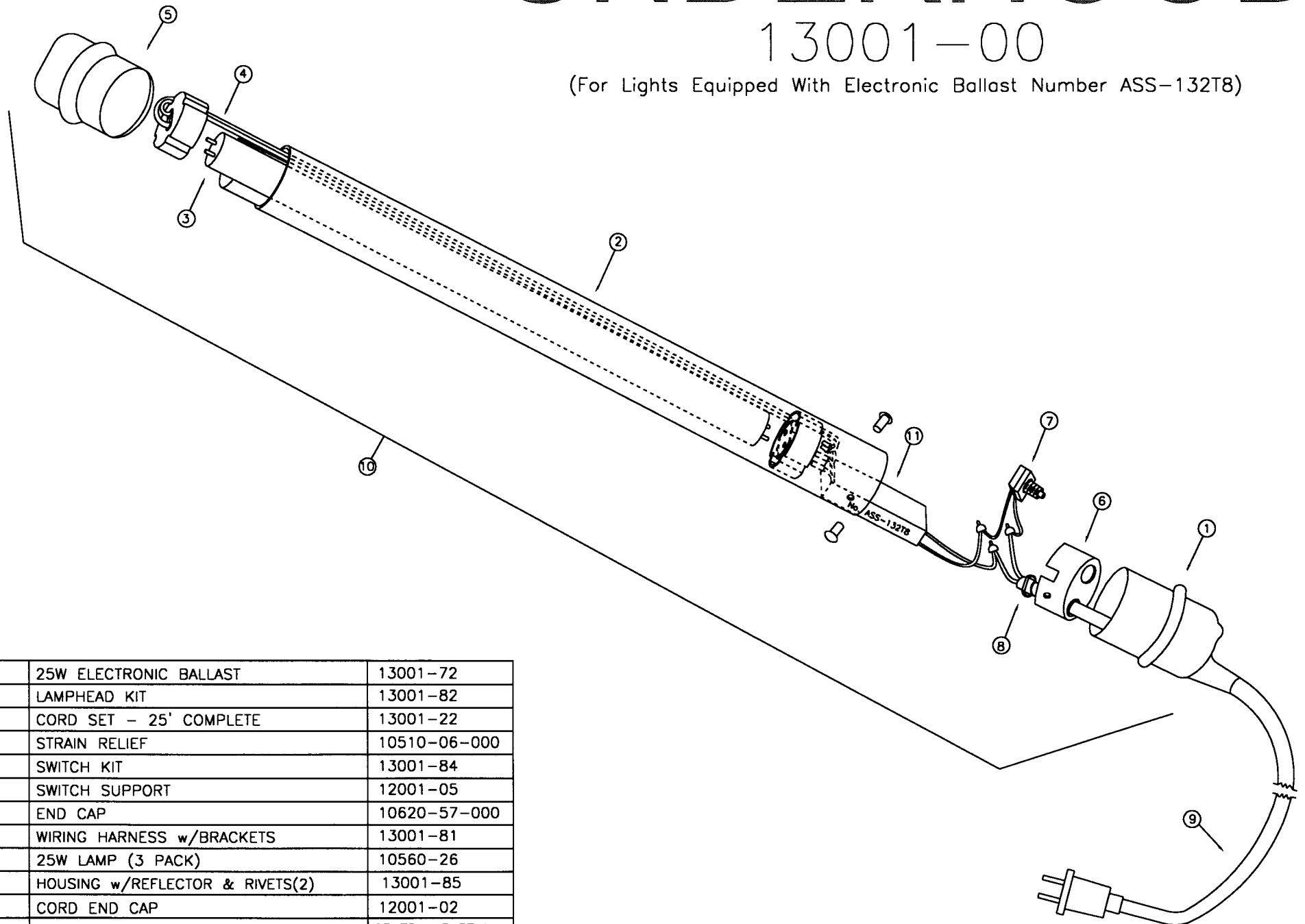


# UNDERHOOD

13001-00

(For Lights Equipped With Electronic Ballast Number ASS-132T8)

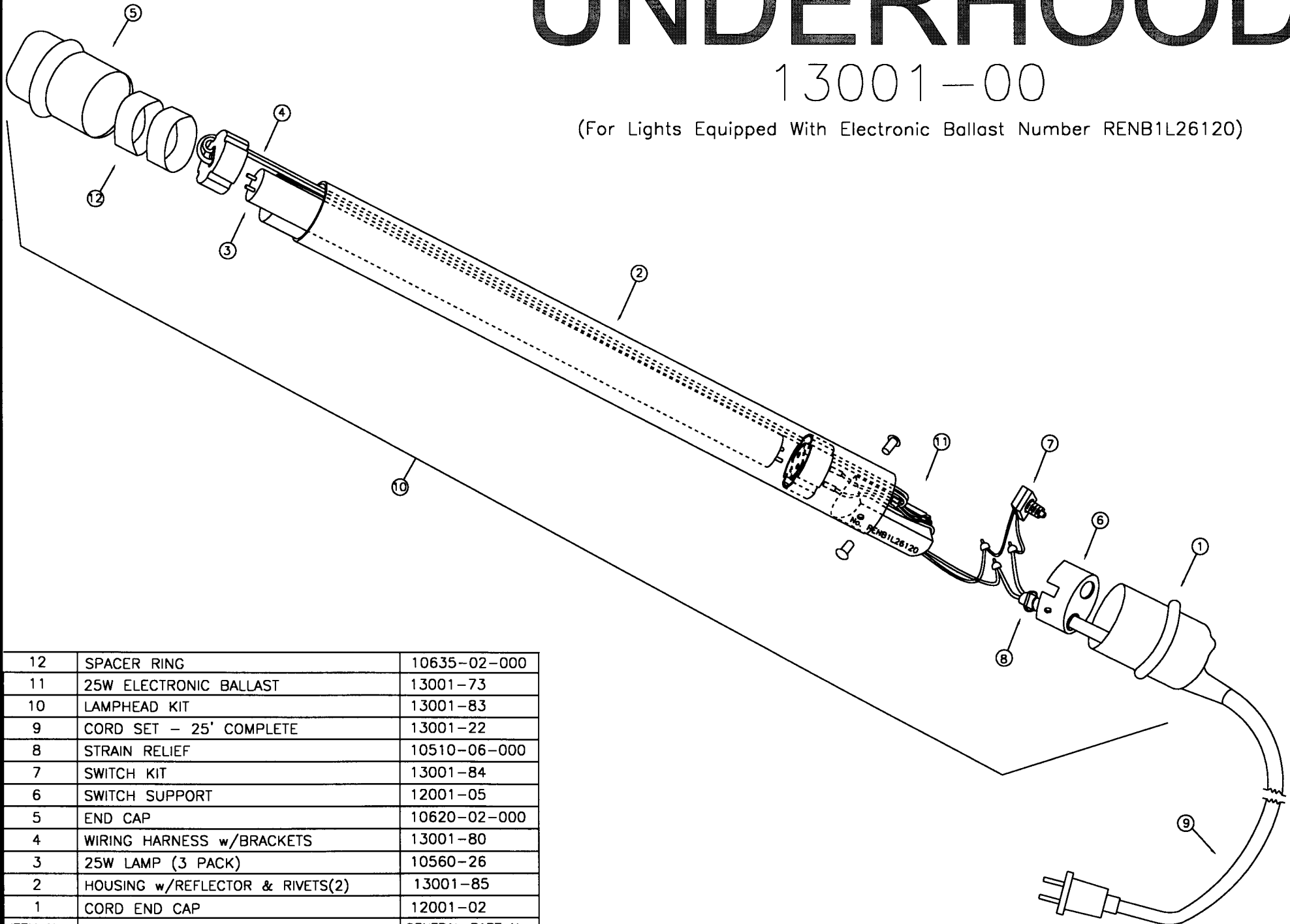


11	25W ELECTRONIC BALLAST	13001-72
10	LAMPHEAD KIT	13001-82
9	CORD SET - 25' COMPLETE	13001-22
8	STRAIN RELIEF	10510-06-000
7	SWITCH KIT	13001-84
6	SWITCH SUPPORT	12001-05
5	END CAP	10620-57-000
4	WIRING HARNESS w/BRACKETS	13001-81
3	25W LAMP (3 PACK)	10560-26
2	HOUSING w/REFLECTOR & RIVETS(2)	13001-85
1	CORD END CAP	12001-02
ITEM No	DESCRIPTION	CENTRAL PART No.

# UNDERHOOD

## 13001-00

(For Lights Equipped With Electronic Ballast Number RENB1L26120)

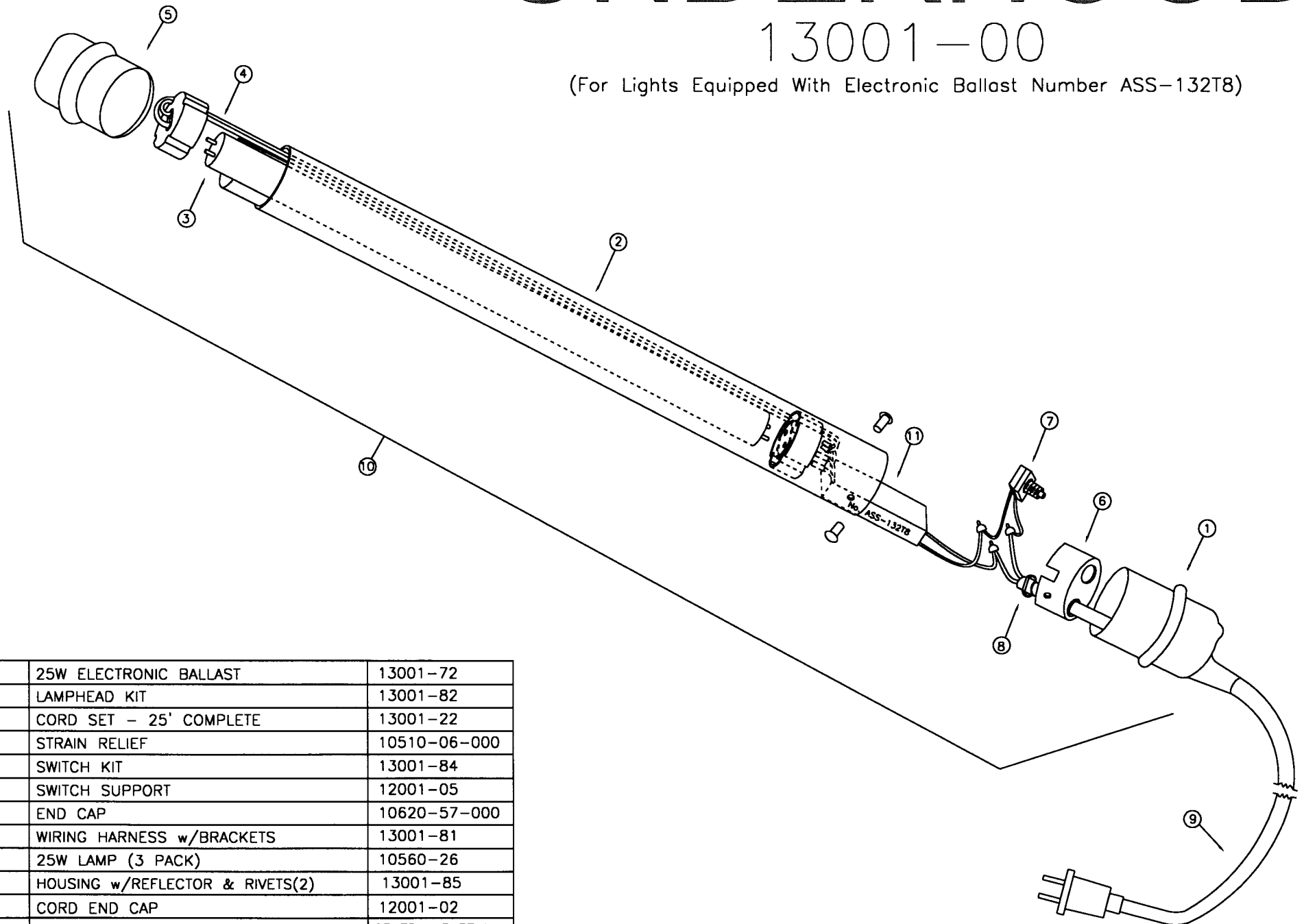


12	SPACER RING	10635-02-000
11	25W ELECTRONIC BALLAST	13001-73
10	LAMPHEAD KIT	13001-83
9	CORD SET - 25' COMPLETE	13001-22
8	STRAIN RELIEF	10510-06-000
7	SWITCH KIT	13001-84
6	SWITCH SUPPORT	12001-05
5	END CAP	10620-02-000
4	WIRING HARNESS w/BRACKETS	13001-80
3	25W LAMP (3 PACK)	10560-26
2	HOUSING w/REFLECTOR & RIVETS(2)	13001-85
1	CORD END CAP	12001-02
ITEM No	DESCRIPTION	CENTRAL PART No.

# UNDERHOOD

13001-00

(For Lights Equipped With Electronic Ballast Number ASS-132T8)



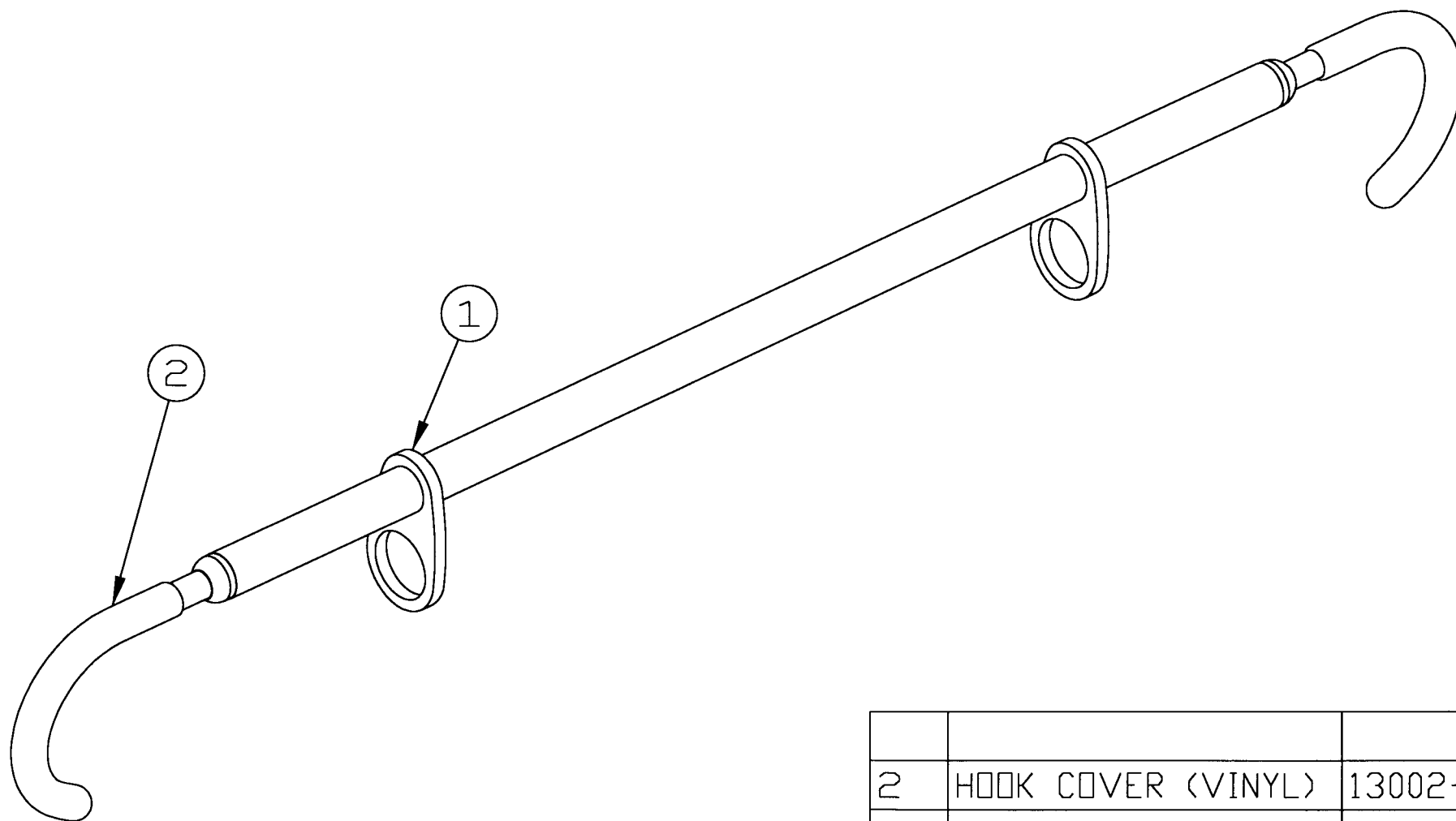
11	25W ELECTRONIC BALLAST	13001-72
10	LAMPHEAD KIT	13001-82
9	CORD SET - 25' COMPLETE	13001-22
8	STRAIN RELIEF	10510-06-000
7	SWITCH KIT	13001-84
6	SWITCH SUPPORT	12001-05
5	END CAP	10620-57-000
4	WIRING HARNESS w/BRACKETS	13001-81
3	25W LAMP (3 PACK)	10560-26
2	HOUSING w/REFLECTOR & RIVETS(2)	13001-85
1	CORD END CAP	12001-02
ITEM No	DESCRIPTION	CENTRAL PART No.

# LITEPERCH<sup>®</sup>

06/04/02

13002 = LITEPERCH ONLY

13003 = LITEPERCH + UNDERHOOD LITE (NOT SHOWN)



2	HOOK COVER (VINYL)	13002-07-000
1	HANGER	13002-06-000
No.	DESCRIPTION	PART No.