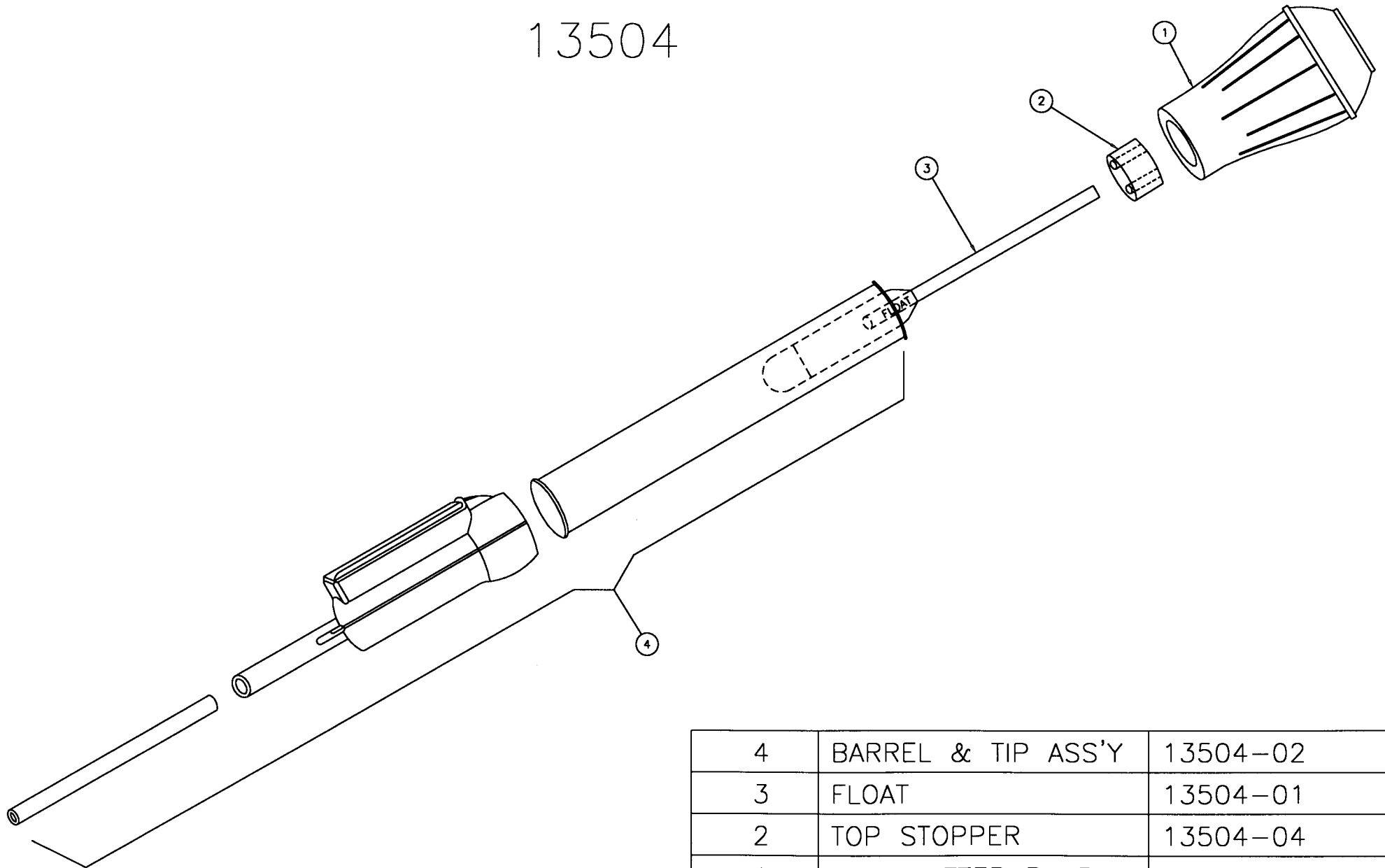


BATTERY HYDROMETER

13504



4	BARREL & TIP ASS'Y	13504-02
3	FLOAT	13504-01
2	TOP STOPPER	13504-04
1	HYDROMETER BULB	13504-03
ITEM No	DESCRIPTION	CENTRAL PART No.