

PRECISION TOOLS FROM



*"Your Automotive Measuring People"*

**Micrometers**

Rod & Tubular Types

Inside

Outside

Depth

Sets

**Dial Indicators & Test Sets**

**Magnetic Bases**

**Machinists Tools**

**Dial Calipers**

**Electronic Digital Calipers**

**Torque Wrenches**

**Cylinder Bore Gages**

*Write for Catalog*



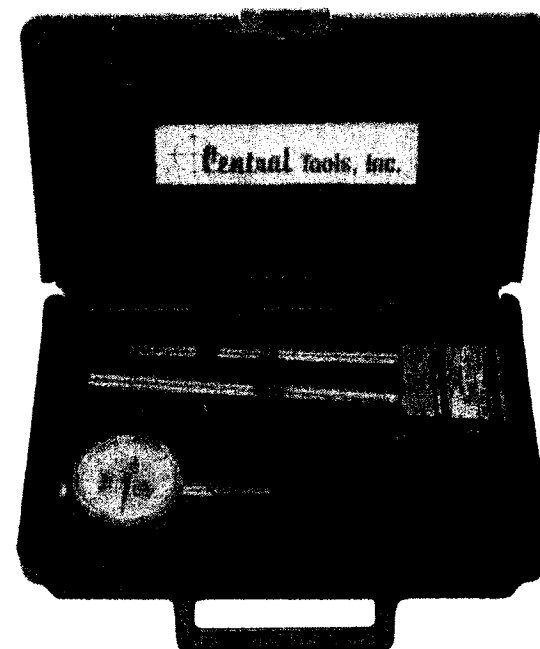
*"Your Automotive Measuring People"*

456 Wellington Avenue  
Cranston, Rhode Island 02910  
1-800-866-5287



*"Your Automotive Measuring People"*

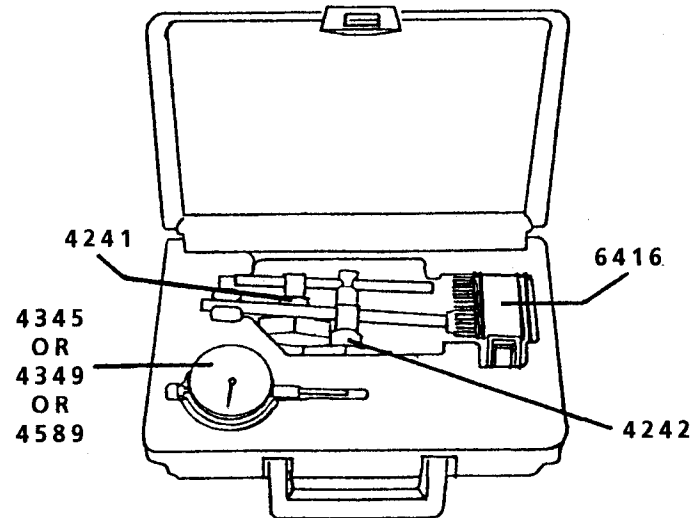
6615 / 6616 / 6646



6615 1" RANGE DIAL INDICATOR SET

6616 30 mm RANGE DIAL INDICATOR SET

6646 HIGH PRECISION DIAL INDICATOR



Number	
4345	1" Range Indicator
or 4393	30mm Range Indicator
or 4589	1" High Precision Indicator
4304	Contact point (part of indicator)
4242	Rod Clamp
4241	Indicator Clamp
6416	Magnetic Base Assembly (including Rods and Clamps)

**Some uses for these dial indicator sets:**

Checking — camshaft wear  
 valve gear backlash  
 timing gear backlash  
 pinion gear backlash  
 driveshaft runout  
 disc brake runout  
 transmission shaft end play

**To take reading —**

The 4345 dial is graduated in increments of .001".  
 One full revolution of the large pointer is 2.0mm,  
 ten full revolutions are 1.000".

The no. 4393 is graduated in increments of .01mm.  
 One full revolution of the large pointer is 2.0mm,  
 ten full revolutions are 20mm and fifteen  
 revolutions are 30mm.

A revolution counter (small pointer) is provided to  
 assist in taking long travel readings. It is to be used in  
 conjunction with the larger pointer.